

شكراً لتحميلك هذا الملف من موقع المناهج العمانية



أسئلة الاختبار الرسمي الظاهرة

[موقع المناهج](#) ⇨ [المناهج العمانية](#) ⇨ [الصف الخامس](#) ⇨ [لغة انجليزية](#) ⇨ [الفصل الأول](#) ⇨ [الملف](#)

تاريخ نشر الملف على موقع المناهج: 2023-01-16 06:09:47

التواصل الاجتماعي بحسب الصف الخامس



روابط مواد الصف الخامس على تلغرام

[الرياضيات](#)

[اللغة الانجليزية](#)

[اللغة العربية](#)

[التربية الاسلامية](#)

المزيد من الملفات بحسب الصف الخامس والمادة لغة انجليزية في الفصل الأول

[اختبار قصير أول نموذج ثالث مع الإجابات](#)

1

[اختبار قصير أول نموذج ثاني مع الإجابات](#)

2

[اختبار قصير أول مع نموذج الإجابة](#)

3

[ملخص شامل لقواعد المادة](#)

4

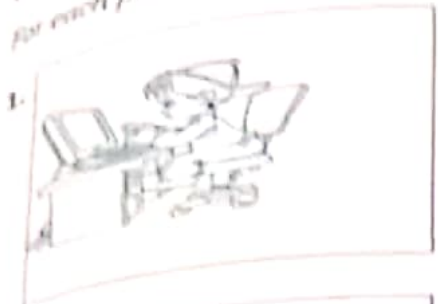
[تحليل كتاب الطالب classbook](#)

5

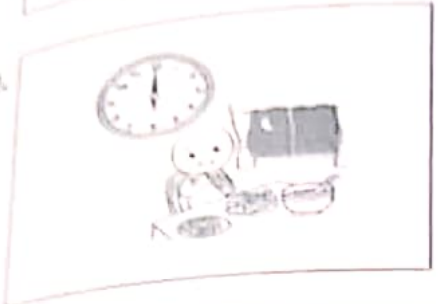
READING 1 (Items 1-5)

For each picture, shade in the bubble next to the correct option.

(5 marks)



- He is riding a bike.
- He is using a computer.
- He is walking.



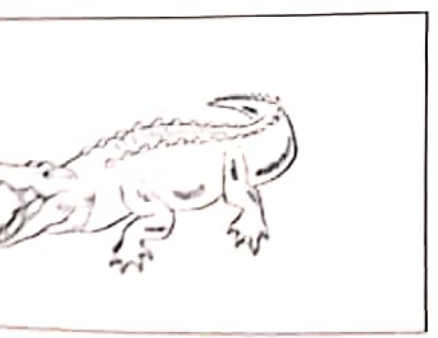
- He eats dinner at six o'clock.
- He eats dinner at half past twelve.
- He eats dinner at quarter past six.



- They are watching TV.
- They are playing tennis.
- They are cooking.






- It is drinking.
- It is running.
- It is jumping.





- It is a kangaroo.
- It is a crocodile.
- It is a turtle.

VOCABULARY (Items 1-5)

Match the pictures with the words. For each picture, shade in the bubble under the correct option

1.		2.	
		3.	

4.	
5.	

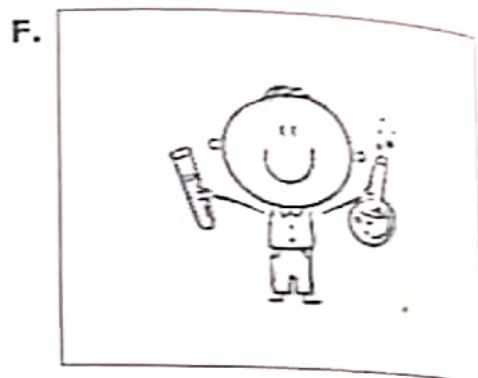
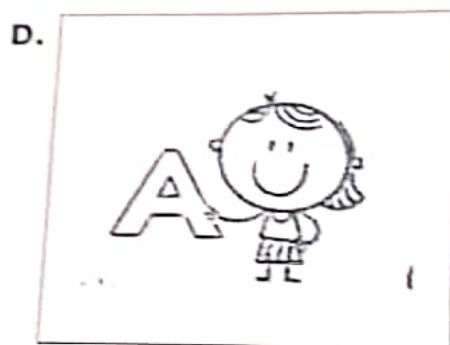
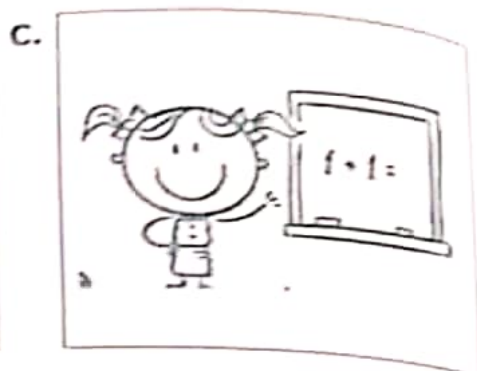
- | | | | | | | | |
|-------|---------|----------|----------|-------|--------|-----|------|
| plane | funfair | kangaroo | pyramids | piano | turtle | bus | drum |
|-------|---------|----------|----------|-------|--------|-----|------|

1.	<input type="radio"/>	<input type="radio"/>	<input type="radio"/>	<input type="radio"/>	<input type="radio"/>	<input type="radio"/>	<input type="radio"/>	<input type="radio"/>
2.	<input type="radio"/>	<input type="radio"/>	<input type="radio"/>	<input type="radio"/>	<input type="radio"/>	<input type="radio"/>	<input type="radio"/>	<input type="radio"/>
3.	<input type="radio"/>	<input type="radio"/>	<input type="radio"/>	<input type="radio"/>	<input type="radio"/>	<input type="radio"/>	<input type="radio"/>	<input type="radio"/>
4.	<input type="radio"/>	<input type="radio"/>	<input type="radio"/>	<input type="radio"/>	<input type="radio"/>	<input type="radio"/>	<input type="radio"/>	<input type="radio"/>
5.	<input type="radio"/>	<input type="radio"/>	<input type="radio"/>	<input type="radio"/>	<input type="radio"/>	<input type="radio"/>	<input type="radio"/>	<input type="radio"/>



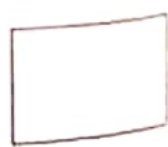
LISTENING 1 (Items 1-5)

You are going to hear five short texts about **school subjects**. Match the pictures with the texts. For each text, shade in the bubble under the correct option.



Pictures

Text	A	B	C	D	E	F
1.	<input type="radio"/>	<input type="radio"/>	<input type="radio"/>	<input type="radio"/>	<input type="radio"/>	<input type="radio"/>
2.	<input type="radio"/>	<input type="radio"/>	<input type="radio"/>	<input type="radio"/>	<input type="radio"/>	<input type="radio"/>
3.	<input type="radio"/>	<input type="radio"/>	<input type="radio"/>	<input type="radio"/>	<input type="radio"/>	<input type="radio"/>
4.	<input type="radio"/>	<input type="radio"/>	<input type="radio"/>	<input type="radio"/>	<input type="radio"/>	<input type="radio"/>
5.	<input type="radio"/>	<input type="radio"/>	<input type="radio"/>	<input type="radio"/>	<input type="radio"/>	<input type="radio"/>



READING
SCORE

10

WRITING 1

Write these two sentences correctly. Put in capital letters and punctuation marks.

(2 marks)

A. reem studies english everyday

B. hamad lives in oman

Marker A	Marker B	Average

GRAMMAR

(Items 6-10)

Complete each sentence with **ONE** word only.

(2% marks)

6. How _____ sisters have you got?

7. My name _____ Mohammed.

8. Do you like apples? Yes, I _____.

9. How _____ visiting the zoo?

10. This house is white _____ grey.

GRAMMAR/VOCABULARY (Items 11-20)







(5 marks)

For each item, shade in the bubble next to the correct option.

Nasser (11) _____ 10 years old. (12) _____ lives in Nizwa with his father, mother and 2 sisters. First, he gets (13) _____ at 6 o'clock in the morning. He (14) _____ breakfast. Next, he goes (15) _____ school. After school, he (16) _____ TV for 3 hours. Then, he (17) _____ his homework. After (18) _____ he (19) _____ computer games. (20) _____, he goes to sleep at 10 o'clock.

LISTENING 2 (Items 6–10)

You are going to hear a text about **Ahmed's daily routine**.
Listen and tick () the activity that he **does**.

		
<p>(e.g.) <input checked="" type="checkbox"/></p>	<p>(6)</p>	<p>(7)</p>
		
<p>(8)</p>	<p>(9)</p>	<p>(10)</p>

**LISTENING
SCORE**

10

Last week, Ali went shopping with his mother, father and three sisters. They bought some milk, some cheese, some eggs and vegetables. When they finished shopping, they visited Ali's grandfather. Ali helped his grandfather in the farm. His sisters worked with their mother in the kitchen. In the afternoon, they went to the park. There Ali met his friend Faisal. Ali was excited to see his friend, so he left his family and started playing. When the family finished, they looked for Ali. They couldn't find him. It seemed that he left the park with his friend. The family called the police who found Ali crying near a mosque. When he saw them, he stopped crying and promised not to leave his family again.

READING 2 (Items 6–10)

(5 marks)

Read the text. Are the statements **True** or **False**?

For each item, shade in the bubble under the correct option.

Statements

True	False
------	-------

6. Ali went shopping with his friends.

<input type="radio"/>	<input type="radio"/>
-----------------------	-----------------------

7. Five people were with Ali.

<input type="radio"/>	<input type="radio"/>
-----------------------	-----------------------

8. Ali helped his grandfather in the farm.

<input type="radio"/>	<input type="radio"/>
-----------------------	-----------------------

9. They went to the park in the morning.

<input type="radio"/>	<input type="radio"/>
-----------------------	-----------------------

10. The police found Ali near a school.

<input type="radio"/>	<input type="radio"/>
-----------------------	-----------------------

--

(3 marks)

WRITING 2

Look at the pictures. Then complete each sentence.



He _____

She _____

It _____

Marker A	Marker B	Average

11. is

are

am

were

12. She

He

They

It

13. Under

on

up

above

14. having

had

have

has

15. to

under

above

up

16. watches

writes

plays

rides

17. watches

writes

plays

rides

18. next

then

that

first

19. draws

writes

rides

plays

20. First

Then

Next

Finally

**GRM/VCB
SCORE**