

شكراً لتحميلك هذا الملف من موقع المناهج العمانية



اختبار قصير أول

موقع المناهج ← المناهج العمانية ← الصف التاسع ← لغة انجليزية ← الفصل الثاني ← الملف

التواصل الاجتماعي بحسب الصف التاسع



روابط مواد الصف التاسع على تلغرام

[الرياضيات](#)

[اللغة الانجليزية](#)

[اللغة العربية](#)

[التربية الاسلامية](#)

المزيد من الملفات بحسب الصف التاسع والمادة لغة انجليزية في الفصل الثاني

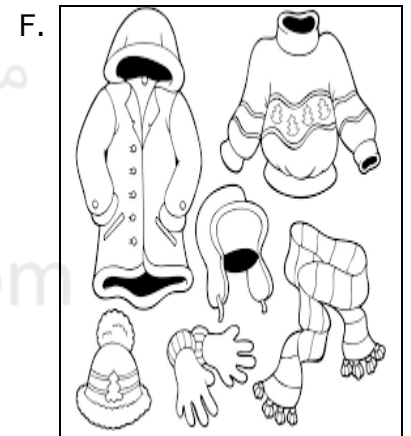
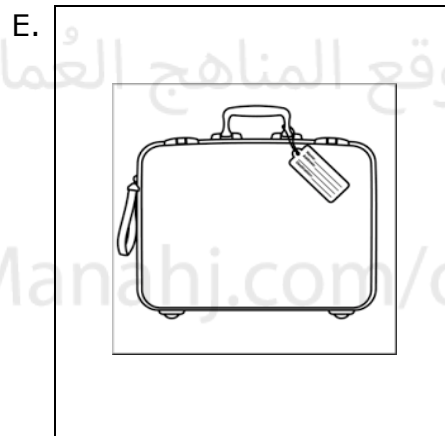
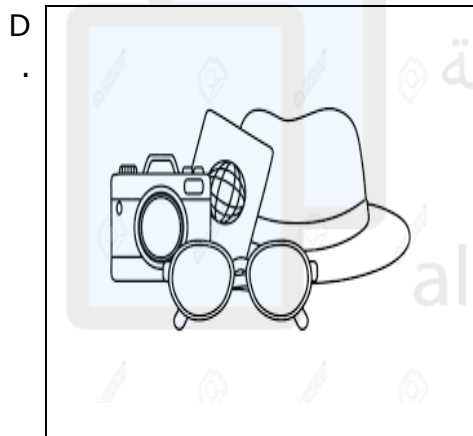
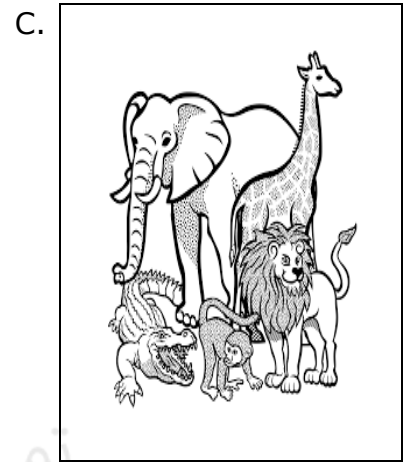
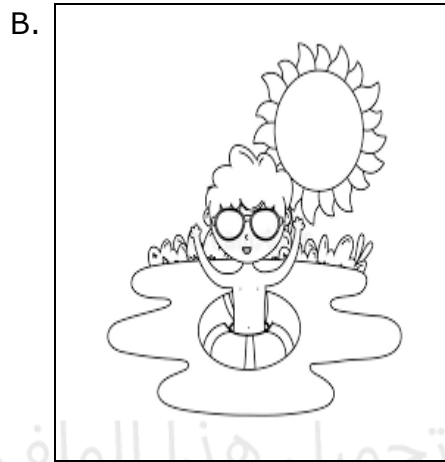
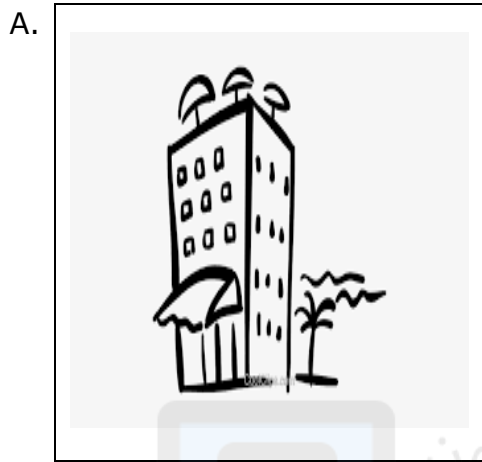
الامتحان الرسمي النهائي بمحافظة جنوب الباطنة	1
الامتحان الرسمي النهائي بمحافظة شمال الباطنة	2
تدريبات محلولة على الكلمات والقواعد Vocabulary-Grammar	3
تدريبات محلولة على مهارة الاستماع Exercises Listening	4
إجابة التدريبات على مهارة القراءة Exercises Reading	5

Name : _____ Class : 9/ _____

LISTENING 1 (Items 1-5)

(2.5 marks)

You are going to hear five short texts about **tourism**. Match the pictures with the texts. For each text, shade in the bubble under the correct option.



	A	B	C	D	E	F
--	---	---	---	---	---	---

- | | | | | | | |
|----|-----------------------|-----------------------|-----------------------|-----------------------|-----------------------|-----------------------|
| 1. | <input type="radio"/> | <input type="radio"/> | <input type="radio"/> | <input type="radio"/> | <input type="radio"/> | <input type="radio"/> |
| 2. | <input type="radio"/> | <input type="radio"/> | <input type="radio"/> | <input type="radio"/> | <input type="radio"/> | <input type="radio"/> |
| 3. | <input type="radio"/> | <input type="radio"/> | <input type="radio"/> | <input type="radio"/> | <input type="radio"/> | <input type="radio"/> |
| 4. | <input type="radio"/> | <input type="radio"/> | <input type="radio"/> | <input type="radio"/> | <input type="radio"/> | <input type="radio"/> |
| 5. | <input type="radio"/> | <input type="radio"/> | <input type="radio"/> | <input type="radio"/> | <input type="radio"/> | <input type="radio"/> |



LISTENING 2 (Items 6–10)**(2.5 marks)**

You are going to hear **a short text** about **Eiffel Tower**

For each item, shade in the bubble next to the correct option.

6.	The Eiffel Tower is located in _____ the capital of France.					
<input type="radio"/>	London	<input type="radio"/>	Paris	<input type="radio"/>	Rome	
7.	The Eiffel Tower was built in _____.					
<input type="radio"/>	1988	<input type="radio"/>	1889	<input type="radio"/>	1899	
8.	It was the tallest structure in the world for _____ years.					
<input type="radio"/>	40	<input type="radio"/>	41	<input type="radio"/>	14	
9.	You can go up The <i>Eiffel Tower</i> using _____.					
<input type="radio"/>	Wood and nails	<input type="radio"/>	Lifts and stairs	<input type="radio"/>	ropes and wires	
10.	The <i>Eiffel Tower</i> was used as a _____ tower.					
<input type="radio"/>	television	<input type="radio"/>	radio	<input type="radio"/>	weather	

--

**LISTENING
SCORE**

5

READING 1 (Items 1-4)

(2 marks)

Match the four texts on the left with the texts in the box. Shade in the bubble under the correct option.

- 1. I'm preparing to travel, so I'm going to pack a lot of necessary things.
- 2. If you travel to another country, you have to show your passport.
- 3. Ali has applied for a job of a tour guide. He likes to speak with tourists.
- 4. Exploring tourism is a type of holiday where individuals decide to go on their own or with a friend.

A. Because wherever he goes, he likes to see culture and traditional life. He likes to see and feel how people live.
B. He helped in a local hotel in Nizwa by taking small groups of tourists around the souk.
C. For example, I 'll prepare my clothes, my phone and a pocket dictionary as well in case I need it.
D. It shows your identity. So keep it in a safe place to avoid losing it.
E. Many students like this kind of tourism because they make their own plans
F. Oman is a wonderful country. You can visit a lot of beautiful places like wadis, forts, museums or you can enjoy yourself at the beach.

	A	B	C	D	E	F
--	---	---	---	---	---	---

- | | | | | | | |
|----|-----------------------|-----------------------|-----------------------|-----------------------|-----------------------|-----------------------|
| 1. | <input type="radio"/> | <input type="radio"/> | <input type="radio"/> | <input type="radio"/> | <input type="radio"/> | <input type="radio"/> |
| 2. | <input type="radio"/> | <input type="radio"/> | <input type="radio"/> | <input type="radio"/> | <input type="radio"/> | <input type="radio"/> |
| 3. | <input type="radio"/> | <input type="radio"/> | <input type="radio"/> | <input type="radio"/> | <input type="radio"/> | <input type="radio"/> |
| 4. | <input type="radio"/> | <input type="radio"/> | <input type="radio"/> | <input type="radio"/> | <input type="radio"/> | <input type="radio"/> |

READING 2 (Items 5–10)**(3 marks)***Read the text. Then complete the task.*

Dear Hamad,

I am having a wonderful time here! We are on a lovely city in Oman, called Salalah. The hotel we are staying at is nice and quiet. It's got a lovely swimming pool.

The weather is wonderful and sunny unlike there at home in Kuwait. Right now, I am sitting outside a fantastic café by the sea. Mona is snorkeling in the clear water, as usual. She is looking for some shells to take home. Dad is visiting some ancient sites in the city. Dad enjoys visiting old places. I think they're boring. Mum is buying souvenirs at the market. She loves the market but it's a bit noisy for me.

We go to restaurants nearly every night for dinner. My favourite one is by the sea. Mum and Dad always order sea-food but I never do. It's horrible. I order chicken. It's so delicious! The sunsets are spectacular and the local people are really friendly, too. I love it here so much, I never want to leave!

Oh well, that's all for now. See you next week.

Yours,
Mazin

*For each item, write a short answer (not more than **FOUR WORDS**).*

5. Who sent the letter? _____
6. Where did Mazin spend his holiday? _____
7. How was the weather there? _____
8. What does Mazin's dad enjoy doing? _____
9. What does Mazin's mum buy from the market? _____
10. Where is Mazin's favourite restaurant? _____

--

--

5

The Eiffel Tower

The Eiffel Tower is one of the most famous buildings in the world. It is an iron tower that is located in Paris, the capital city of France. The tower is the tallest structure in Paris and the most-visited place in the world. It was named after Alexandre Eiffel, a French civil engineer, whose company designed and built the tower. It cost £260,000 to build in 1889 with most of the money being provided by Eiffel himself and the French state. The Eiffel Tower rises to a height of 985 feet and for forty years, it was the tallest man-made structure in the world. The top may be reached by using lifts and stairs. The original idea was for the tower to be removed after a twenty-year period. However, it was so well built and engineered that it was decided to leave it in position. After the first year of opening, so much money had been raised from people visiting the tower that the cost of construction was covered and Eiffel became rich. Alexandre Eiffel conducted experiments on the tower and in 1898, it was discovered that the tower could also be used as radio tower. Consequently, the Eiffel Tower was saved.

Listening 1:

1. Ahmed is going to travel to a cold country, so he needs to take heavy clothes with him like coat, sweater, gloves and jacket.
2. Some people like scientists like to go on eco tourism where they can see how animals live in the forests like lions, girrafes and elephants.
3. Next holiday am going to travel to Turkey, so I bought a big suitcase where I can pack I things that I need inside it.
4. When I went to Dubai last summer, I stayed in a five star hotel. It offers all services that I need like free wifi, swimming pool and a room for the gym.
5. I am going on a trip with my family next Friday, so it is important to take a camera to capture the nice views. I also have to take sunglasses and hat to protect me from the sun glare.